

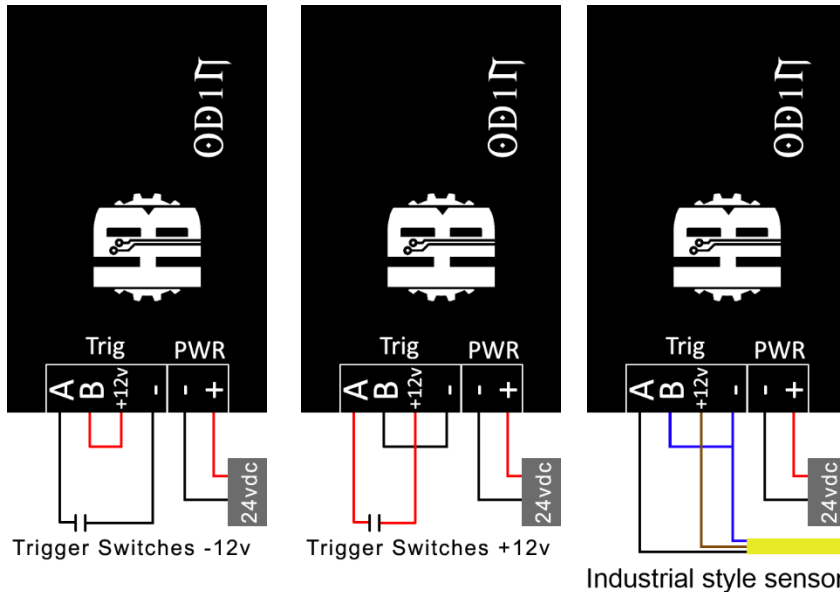
# OD1N Quick Start



**Installation:** Remove the existing DIN connector from your solenoid valve and replace with the OD1N. The OD1N will work with any 12 to 24 Volt DC air valve.

**Wiring:** Connect supply voltage to the + & - PWR terminals. This voltage should match the coil voltage of the valve.

The OD1N has a very flexible trigger input that can be wired to work with nearly any trigger. Triggers can provide a + voltage, - voltage, or contact closure when activated. Follow the diagram that matches your trigger device.



**Note:** Industrial style diagram is assuming a PNP style device. Additionally, the black or white wire may be used depending on the internal configuration of the sensor.

**Programming:** To program the OD1N, hold down the **Red** Record button while pressing the **Green** activate button. The red button must be held down the entire length of the sequence you are creating. When finished recording, release the red button. This will set the sequence length and finalize the recording. The sequence can be played back by either triggering the input or pressing the green button. Note: Avoid trigger activations while attempting to program the controller.

### **Configuration Options:**

**Program Lock:** To prevent unauthorized changes to the programmed sequence, hold down the red button during power up until you see the LED flash.

**Trigger Selection:** To switch between trigger types, hold down the green button during power up until you see the LED flash.

**Factory Reset:** To erase all shows, program lock, and trigger selection- hold down both red and green buttons during power up until you see the LED flash.

LED Flash patterns during power up. There are two sets of flashes.

The first flash will indicate the Program Lock status. A single flash indicates the OD1N is not locked, a double flash indicates the OD1N is write protected and cannot be overwritten.

The second set of flashes indicates the trigger status. A single flash indicates the OD1N is expecting a normally open type of trigger, a double flash indicates the OD1N is expecting a normally closed type of trigger.

The default factory setting is Not Locked and Normally Open.